



250.1 Series Device Holder

DH-250

IN PROCESS TO EXCELLENCE

DH-250 is produced for 250.1 series devices:

DM-250.1 - Density Meter

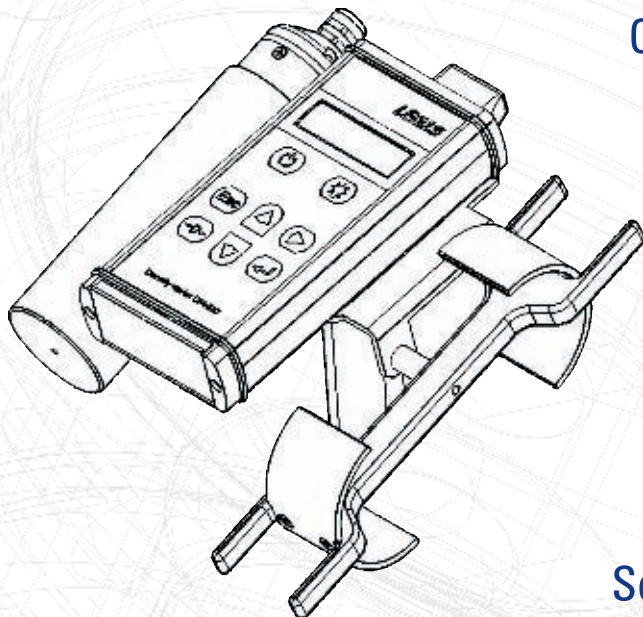
VM-250.1 - Viscosity Meter

VDM 250.1 - Viscosity & Density Meter

We have developed two types of 250.1 Series Device Holders:

DH 250-6 with PUR cable with metric or feet markers for 6 meters (20 ft) cable.

DH 250-12 with PUR cable with metric or feet markers for 12 meters (40 ft) cable.

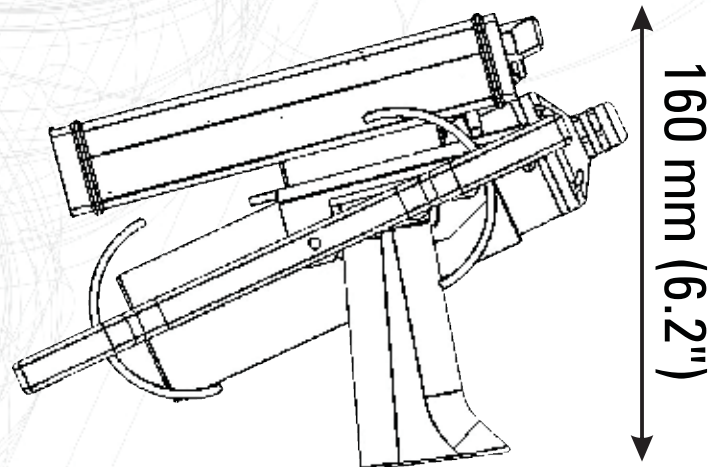
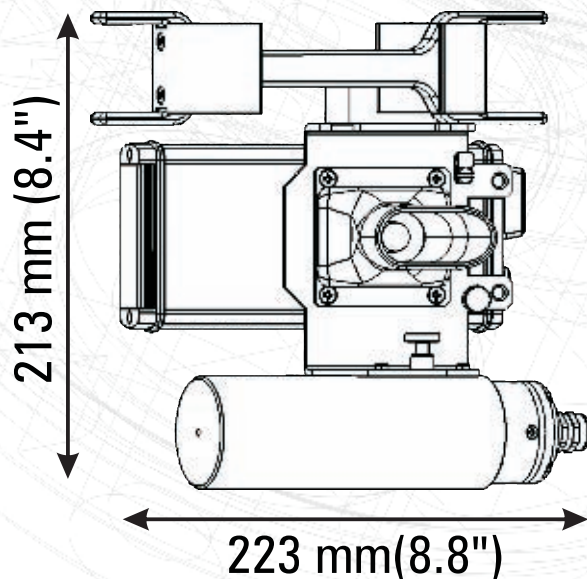
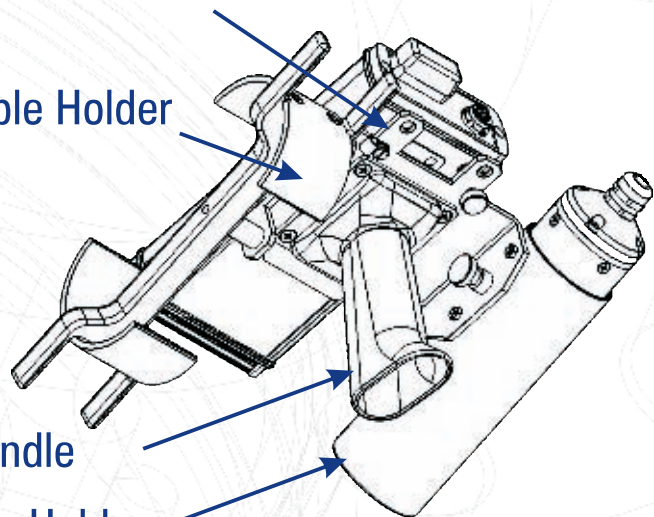


Controller Holder

Cable Holder

Handle

Sensor Holder



For more information please visit www.lemis-process.com



USA
LEMIS USA, Inc.
 2121 Golden Road, Suite 2A
 The Woodlands
 TX 77380, USA
 Ph.: +1 281 465 8441
 Fax: +1 281 465 8224

EUROPE
AS LEMIS Baltic
 26 Ganību dambis
 Rīga, LV-1005
 Latvia, EU
 Ph.: +371 6738 3223
 Fax: +371 6738 3270

INDIA
LEMIS India PVT LTD
 603, Platinum Technopark, Plot-17/18
 Sector-30A, Vashi
 Vashi - Navi Mumbai. 400705, INDIA
 Ph.: +91 22 6721 5655
 Fax: +91 22 6794 2666

E-mail: info@lemis-process.com